

Voltz  
POWER

Voltz  
POWER

Voltz  
POWER

Voltz  
POWER

Voltz  
POWER

Voltz  
POWER



# VISION

Voltz  
POWER

Voltz  
POWER

Voltz  
POWER

Voltz  
POWER

Voltz  
POWER

Voltz  
POWER

Voltz  
POWER

Voltz  
POWER

Voltz  
POWER

Voltz  
POWER

Voltz  
POWER

Voltz  
POWER



Voltz  
POWER

Voltz  
POWER

Voltz  
POWER

Voltz  
POWER

Voltz  
POWER

Voltz  
POWER

# Voltz

POWER

Voltz  
POWER

Voltz  
POWER

Voltz  
POWER

Voltz  
POWER

Voltz  
POWER

Voltz  
POWER

Power for a high voltage life™

[voltz-power.com](http://voltz-power.com)

Voltz  
POWER

Voltz  
POWER

Voltz  
POWER

Voltz  
POWER

Voltz  
POWER

Voltz  
POWER



# Battery Specifications



VISION MODEL	VOLTS	CAPACITY (20HR/AH)	DIMENSIONS (IN.)				DIMENSIONS (MM)				TERMINAL	WEIGHT (LBS.)
			L	W	H	TH	L	W	H	TH		
3FM180D-X	6	205	12.00	6.46	8.66	8.86	306	164	220	225	M8	63.10
SCP645 F1	6	4.5	2.76	1.85	3.98	4.21	70	47	101	107	F1	1.74
SCP6120 F1	6	12	5.94	1.97	3.70	3.94	151	50	94	100	F1	4.08
SCP1212 F1	12	1.2	3.82	1.69	2.05	2.28	97	43	52	58	F1	1.17
SCP1223 F1	12	2.3	7.01	1.38	2.40	2.64	178	35	61	67	F1	2.18
SCP1232 F1	12	3.2	5.28	2.64	2.40	2.64	134	67	61	67	F1	2.87
SCP1250 F1	12	5	3.54	2.76	3.98	4.21	90	70	101	107	F1	3.09
SCP1270 F1	12	7	5.95	2.56	3.70	3.94	151	65	94	100	F1	4.50
SCP1270 F2	12	7	5.95	2.56	3.70	3.94	151	65	94	100	F2	4.50
SCP1280 F1	12	8	5.95	2.56	3.70	3.94	151	65	94	100	F1	5.10
SCP1280 F2	12	8	5.95	2.56	3.70	3.94	151	65	94	100	F2	5.10
SCP1290 F1	12	9	5.95	2.56	3.70	3.94	151	65	94	100	F1	5.51
SCP1290 F2	12	9	5.95	2.56	3.70	3.94	151	65	94	100	F2	5.51
SCP12120 F1	12	12	5.95	3.86	3.74	3.98	151	98	95	101	F1	7.72
SCP12120 F2	12	12	5.95	3.86	3.74	3.98	151	98	95	101	F2	7.72
SCP12180 NB	12	18	7.13	3.03	6.59	6.59	181	77	167	167	NB (NB-1)	11.68
SCP12180 M5	12	18	7.13	3.03	6.59	6.59	181	77	167	167	M5	11.68
SCP12220 NB	12	22	7.13	3.03	6.59	6.59	181	77	167	167	NB (NB-1)	13.01
SCP12220 M5	12	22	7.13	3.03	6.59	6.59	181	77	167	167	M5	13.01
SCP12260 NB	12	26	6.54	6.89	4.92	4.92	166	175	125	125	NB (NB-1)	16.76
SCP12350 NB	12	35	7.68	5.12	6.10	6.61	195	130	155	168	NB (NB-2)	21.38
SCP12350 M6	12	35	7.68	5.12	6.10	6.61	195	130	155	168	M6	21.38
SCP12500 NB	12	50	7.80	6.54	6.69	6.69	198	166	170	170	NB (NB-3)	30.42
SCP12500 M6	12	50	7.80	6.54	6.69	6.69	198	166	170	170	M6	30.42
SCP12550 NB	12	55	9.02	5.43	8.19	8.46	229	138	208	215	NB (NB-4)	34.39
SCP12550 M6	12	55	9.02	5.43	8.19	8.46	229	138	208	215	M6	34.39
SCP12750 NB	12	75	10.16	6.54	8.11	8.31	258	166	206	211	NB (NB-5)	52.91
SCP12750 M6	12	75	10.16	6.54	8.11	8.31	258	166	206	211	M6	52.91
SCP121000 M6	12	100	12.05	6.65	8.30	8.50	306	189	211	216	M6	58.42
SCP121100 M8	12	110	13.00	6.73	8.43	8.66	330	171	214	220	M8	63.93
* SCP122000 M8 (4D)	12	200	20.55	9.37	8.58	8.78	522	238	218	223	M8	130.30
* SCP122500 M8 (8D)	12	250	20.55	10.59	7.87	8.19	522	269	200	208	M8	160.06

\* JIS Group Size

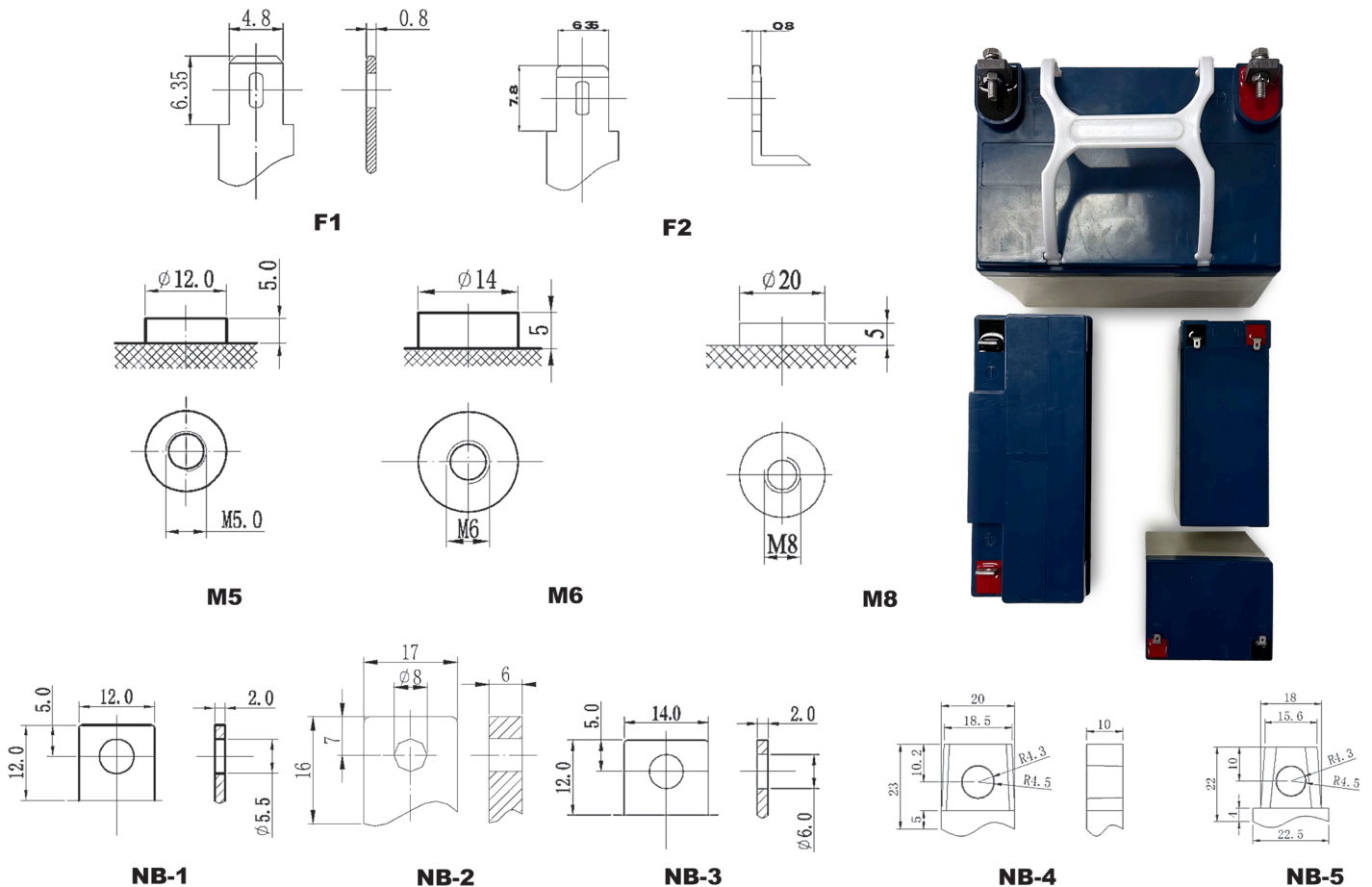




One of the largest SLA battery manufacturers in the world.  
 Excellent quality, yet competitively priced.  
 An extensive product range.  
 OEM supplier to the telecom and UPS industries.



## Terminal Configurations





# Voltz POWER



2180 Immokalee Rd. Suite 205  
Naples, FL 34110  
Phone: 562-949-5460  
Fax: 562-949-5490  
voltz-power.com

